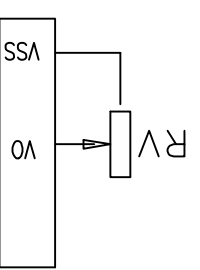
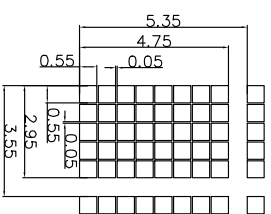
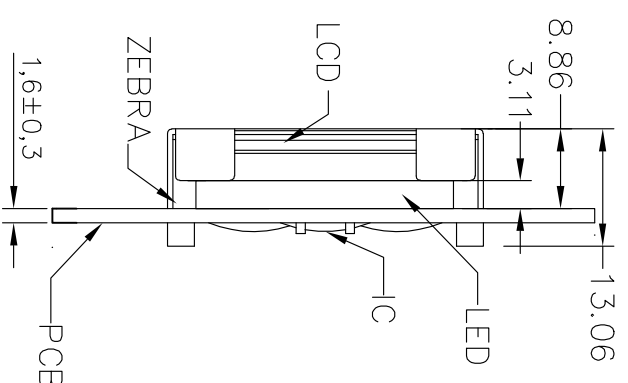
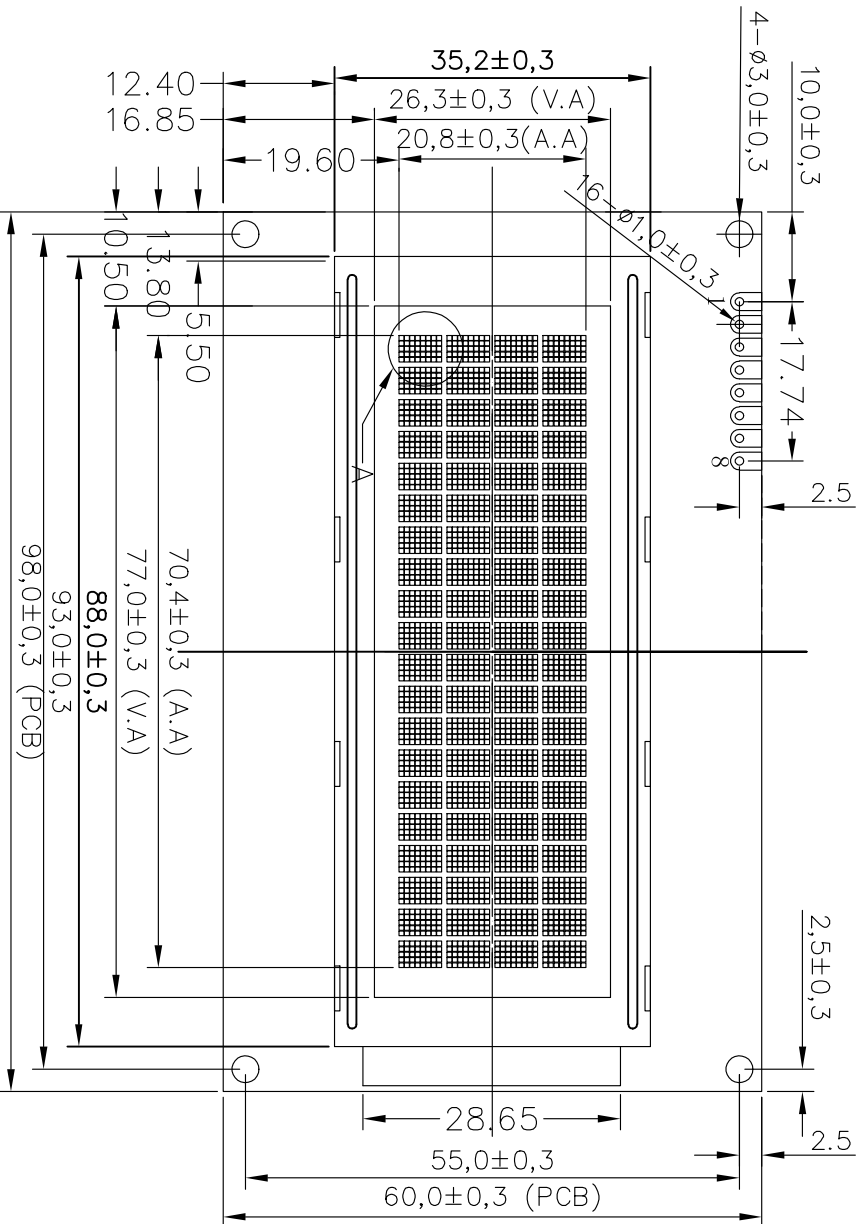


Customer approval :



1	2	3	4	5	6	7	8
VSS	VDD	Vo	CSB	SCK	SDA	BLA	BLK

VIEWING DIRECTION

SPECIFICATION:

- 1). Driving: Duty:1/32, Bias:1/5, Vdd:5.0V, Vicd:3.5V
- 2). VIEWING DIRECTION: 6 O'CLOCK
- 3). Display mode: STN/Negative/Transmissive/Blue
- 4). Operating temp.: 0°C~+50°C
- 5). Storage temp.: -10°C~+60°C
- 6). Control IC: (Or Compatible)
- 7). BACKLIGHT: EDGE, White(2DICES,ILED=30mA,Vf=3.1V)
- 8). DIMENSIONS WITH MARK "\*" ARE IMPORTANT WITH MARK "()" ARE REFERENCED
- 9). All the raw materials are RoHS compliant

REVISION RECORD	REV	TCC		DRAWING NO.		APPROVED BY		CHECKED BY		DRAWING BY		UNIT	mm	PAGE
First issue	A0	深圳市三元晶科技有限公司 ShenZhen TCC LCD Hi-Tech Co., Ltd		SYB200442V10-5C37BLN7-B5NQ		LiuXu				2017/03/08		mm		1/1
				GENERAL TOL: ± 0.										