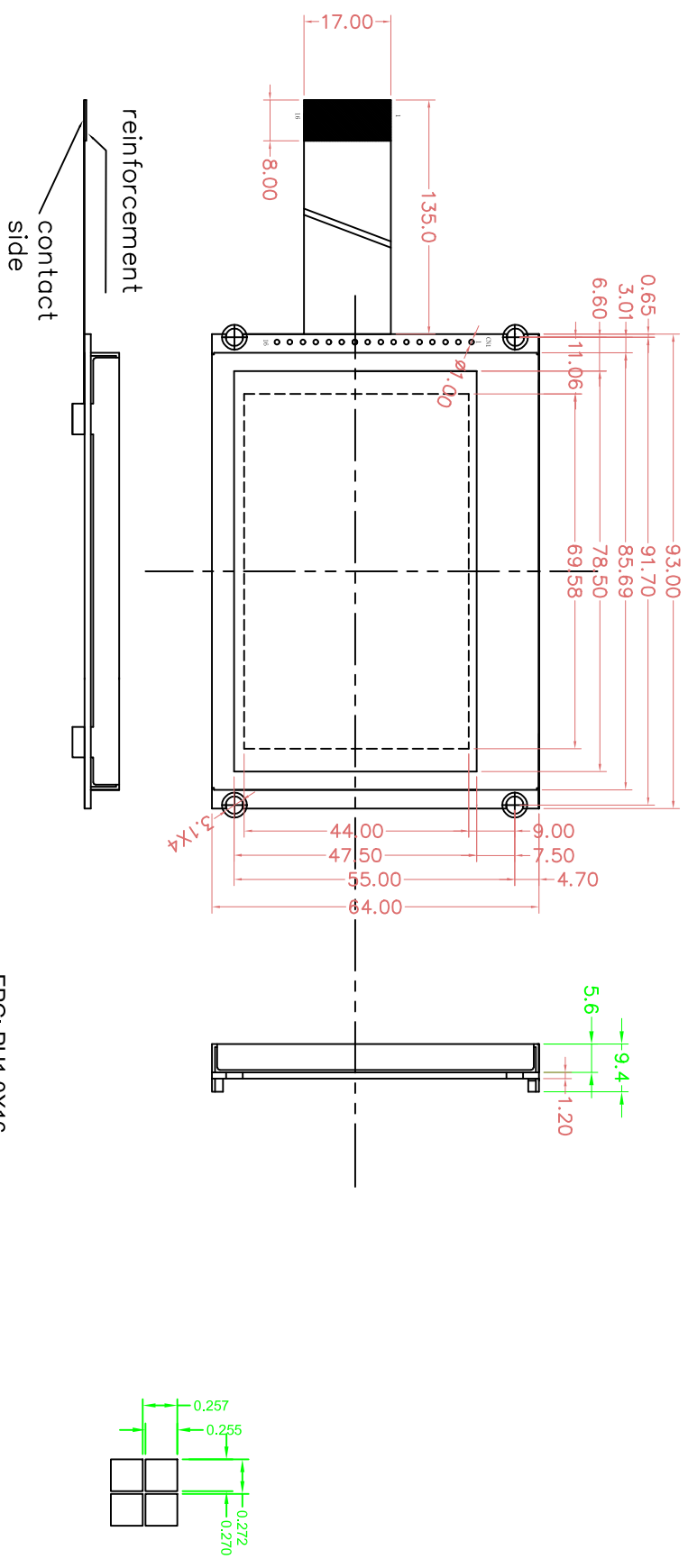


Customer approval :



FPC: PH1.0X16
CN1:PH2.54X16

PIN	1	2	3	4	5	6	7	8	9	10
CONNECTION	VDD	VSS	/CS	RS	/WR	/RD	DB0	DB1	DB2	DB3
PIN	11	12	13	14	15	16				
CONNECTION	DB4	DB5	DB6	DB7	/RST	BLA				

- Specification:
- 1). Driving: Duty:1/160,Bias:1/12,VoP:~16.0V, VDD:3.3V.
 - 2). Viewing direction: 6 o'clock
 - 3). Display mode:FSTN/ /
 - 4). Operating temp:-20°C~+70°C
 - 5). Storage temp: -30°C~+80°C
 - 6). Control IC: ST7586S (Or Compatible)
 - 7). Backlight: White edge LED: 3.3V
 - 8). dimensions with mark "" are important with mark "(" are referenced
 - 9). All the raw materials are RoHS compliant

REV	REVISION RECORD	DATE	深圳市三元晶科技有限公司 Shenzhen TCC LCD Hi-Tech Co., Ltd.				GENERAL TOL:
A	FIRST ISSUE	2015/11/03	MODEL NO. 模组型号	SYG240160N/10-3C49K3L-B5WF			未注公差
B			APPROVED BY 审核	Liu	CHECKED BY 检查	Francis	2015/11/03
C			DRAWING BY 绘图	Luoxian	PAGE: 页面1 OF 1	三角法	UNIT: 单位mm
D							